

**PRODUCT**



Item no.: 001-0523X  
+ style code

**DESCRIPTION**

Bestlite has been in continuous production since 1930. Robert Dudley Best created Bestlite design. He was highly influenced by the Bauhaus. In the past 80 years, people appreciated the lamps and it decorates many homes, hotels and restaurants worldwide. Loved by architects, designers and design aficionados throughout its 80-year history, today, Bestlite enjoys global iconic status.

**VERSION - BESTLITE FLOOR LAMP BL5**

Shade: Charcoalblack, Matt-White or Grey  
Tube and arm: Brass with lacquered surface

Shade and base: Brass with lacquered surface  
Tube and arm: Brass with lacquered surface

RAL codes are indicative.

- Fabric wire - Black:
- Charcoal black/Brass / White inside // RAL 9011 / RAL 9003 // Gloss level 20 / Gloss level 20
- Grey w/Brass / White inside // RAL 2604005 / RAL 9003 // Gloss level 30 / Gloss level 20
- Brass w/Brass / White inside // - / RAL 9003 // - / Gloss level 20

- Fabric wire - Off-White:
- Matt-White w/Brass / White inside // RAL 9003 / RAL 9003 // Gloss level 20 / Gloss level 20

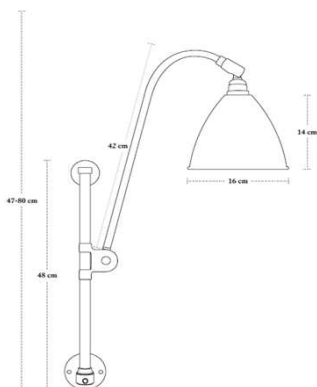
Please contact us for other colours or finishes.

**VERSION**

Order item - look for part number in the pricelist.

Series contains the following:

**BL5, BL6, BL7, BL10**



**COLOURS**



// Charcoal black / Brass



// Grey / Brass



// Matt-White / Brass



// All Brass

**FACTS**

**MEASUREMENT - L X W X H MM**

- Lamp height: 470-800 mm
- Tube length: 480 mm
- Shade height: 140 mm
- Shade diameter: Ø160 mm
- Cord - total length w/sw: App. 2400 mm
- Cord - exposed out of lamp: App. 2000 mm

**WEIGHT ITEM - LAMP INCL. WIRE**  
1323 g

**PACKAGING TYPE**  
White cardboard box w/ 5ply corrugated

**PACKAGING MEASUREMENT - L X W X H CM**  
L:22 x W:61 x H:26 cm

**WEIGHT PACKAGING - MATERIAL TYPE**

- Paper Egg crate: 800 g
- Bestlite key: 18 g
- PE polybag: 1 g
- Screws: 4,5 g
- PE polybag: 60g
- Cardboard outside: 800 g
- Cardboard top: 84 g

**WEIGHT PACKAGING - TOTAL**  
3200 g

**NUMBER OF PARCELS**  
1 pcs.

**LIGHT SOURCE**

- Socket: E14 base
- Recommended light source: *All fluorescens light bulbs*
- Recommended wattage: 9 W = (40 WATT incandescent bulbs)
- Max wattage: 13 W

- Recommended light source: *Halogen light bulb*
- Recommended wattage: 28 W = (40 WATT incandescent bulbs)
- Max wattage: 28 W

- All lamps can be fitted with a dimmer.  
Please contact your local electrician.

- Lightbulb not included

## BESTLITE BRASS BL5 // WALL LAMP, HARD WIRED (SWITCHED), EU MODEL

Designed by Robert Dudley Best

BESTLITE COLLECTION

### CLEANING AND MAINTENANCE

Use a soft damp cloth when cleaning your Bestlite lamp. Do not use household cleaners.

### ACCESSORIES

-

### ENVIRONMENT

-

### TESTS

-

### CERTIFICATION AND LABELS

CE-CERTIFIED

ON DEMAND - (ordered at an additional charge)

ORDERING - BL5 Hard-wired (switched):  
No cord, switch on the lamp holder

- Euro voltage: 230 V  
- Frequency: 50 Hz  
- Supply voltage: AC power ~  
- Normally Closed IP20



Class II / Double insulated



CE-Mark

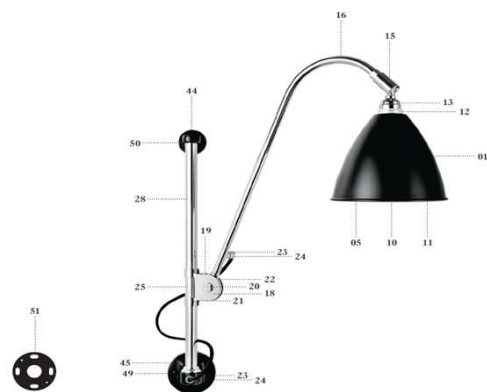


Luminaires accepted for mounting on a flammable base

### KOMPONENTS

- 01 // Shade Ø16
- 05 // Lamp holder
- 10 // Insulating ring
- 11 // Internal shade ring
- 12 // External shade ring
- 13 // Lamp holder cover
- 15 // Universal joint
- 16 // Bestlite arm
- 18 // Bestlite "clip"
- 19 // Bestlite nut
- 20 // Bestlite bolt
- 21 // Tension spring
- 22 // Fibre washer
- 23 // Cord grip
- 24 // Cord grip cover
- 25 // Acetate
- 44 // Top bracket
- 45 // Wall bracket
- 49 // Screw 9x19 mm
- 50 // Screw 6x36 mm
- 51 // Mounting plate Ø7 cm

Item no.: 001-0529X



XX // Switch on lampholder

### MATERIAL

Shade: Charcoalblack, White or Grey  
Tube and arm: Brass with lacquered surface

Shade and base: Brass with lacquered surface

Tube and arm: Brass with lacquered surface

### INSTALLATION INSTRUCTIONS

The Bestlite key:

It's a practical tool that enables you to fasten the lamp arm. Simply use it like a screwdriver in the slot in the Bestlite nut.

1) Important for installation:  
Do not use a screwdriver or other sharp tool on your wall for accurate placing of the hole.  
Mark with the Bestlite key!



#### Technical information:

Light source: 2x E14 40W incandescent or 40W halogen bulb.  
For power of more than 40W/80W bulb:  
The lamp is not approved for outdoor use or use in damp locations.

#### Some advice on cleaning your Bestlite:

Prevent contact plates to become scratched and discolored.  
Wipe the lamp with a damp cloth soaked in warm water and a bit of mild detergent.

#### Choose polished parts:

Wipe the lamp with a damp cloth and warm air to bring it back.  
If the surface is already used in a similar public-made application for decoration or other self-made.

Use only soft cloth for wiping and polishing, never sponges or other tools.  
Do not use abrasive household cleaners.

Do not use acids or alkaline cleaning methods, glass cleaners or household solvents.

BESTLITE - GUBI, Møllehavevej 7, 4, DK-2100, Copenhagen, Denmark - www.bestlite.com



**BESTLITE**  
GUBI

